

OD**B

32"/43"/55"/65"/75"/86"

3000nits Outdoor digital signage display



Key Feature

- Slim design with optical bonding
- All Weather Proofing
- Tempered protective glass
- -20°C(Optional-30°Cwith heating system) to 45°C
- 3000nit High Brightness
- 178°H/178°V ultra-wide viewing angle
- Auto brightness with light sensor as per ambient light condition
- High TNl panel(105°C)
- Slim Even Bezel

Specification

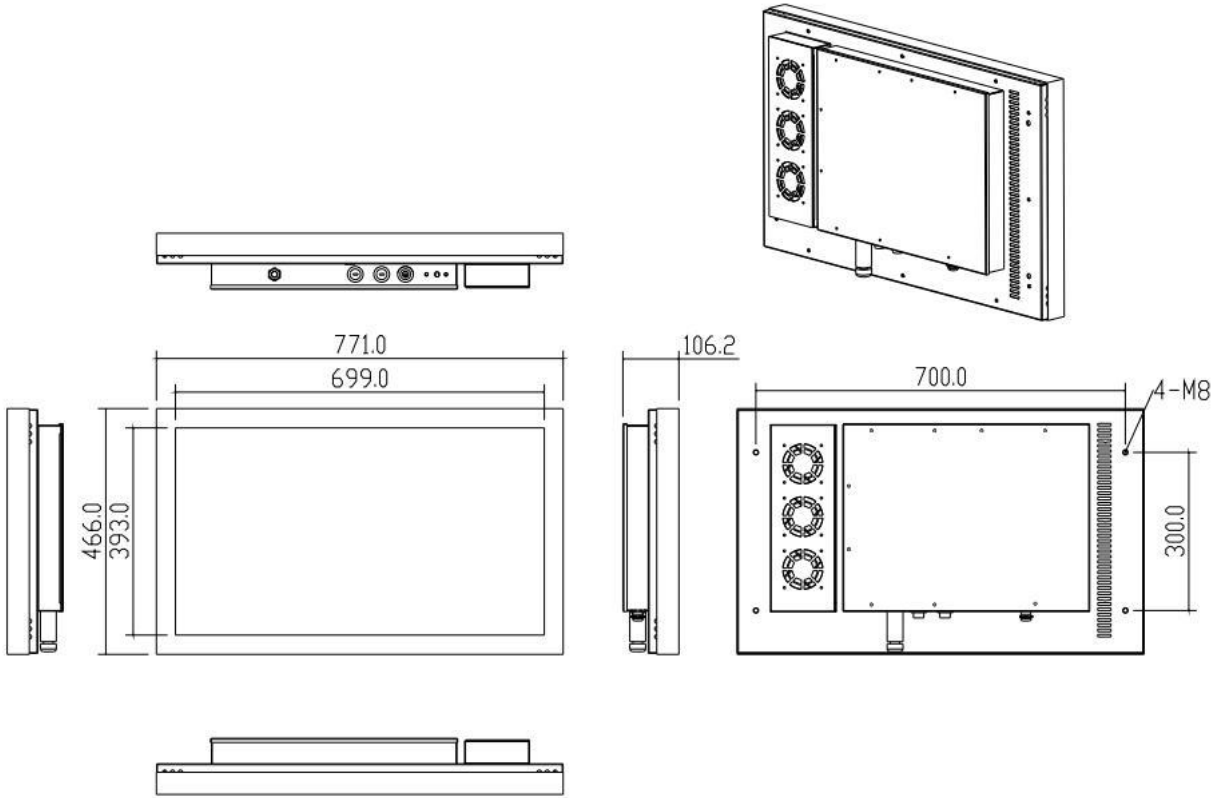
Display		OD**B				
Screen Size	32"	43"	55"	65"	75"	86"
Aspect Ratio	16:9					
Native Resolution	1920 x 1080 (FHD)			3840 x 2160(UHD)		
Brightness	3000nit(2500nit for 32" and 43")					
Contrast Ratio	1200 :1					
Viewing Angle (H x V)	178 x 178					
Lifetime	50,000 hrs					
Orientation	Landscape/Portrait					
Mainboard						
OS	Android 12					
CPU	Octa Core A55, 1.2GHz, up to 1.5GHz					
GPU	Multi-Core Mali-G52					
RAM&Storage	4+32G					
Input	HDMI IN×1,USB2.0×1, USB3.0×1,RJ45×1					
Wifi	Yes					
Cooling	Fan					
Overheating protection	Yes					
Protection	IP56					
Physical						
Bezel Color	Black					
Bezel Width	36mm		50mm		60mm	
Dimension (W x H x D)(mm)	771 x 466 x 106.2	1014 x 603 x 106.2	1282 x 753 x 106.2	1528 x 904 x 116	1750 x 1028 x 116	2016 x 1186 x 126
Weight	25KG	40KG	56KG	TBD	TBD	TBD
Carton Dimensions (W x H x D)(mm)	1172 x 766 x 270	1304 x 840 x 270	1440 x 916 x 270	1740 x 1060 x 270	1980 x 1190 x 270	2240 x 1360 x 270
Packed Weight	31kg	47kg	65kg	TBD	TBD	TBD
VESA(mm)	700x400	920x400	1200x400	1400x400	1000x500	1200x600
Others						
Operation Temperature	-20°C(Optional -30°C with heating system) to 45°C					
Operation Humidity	5%~90%					
Power Type	Built-In Power					
Power Supply	AC100~240V , 50/60Hz					
Power	170W	280W	310W	448W	700W	1300W
Power of Standby Mode	0.5W	0.5W	0.5W	0.5W	0.5W	0.5W

Specification

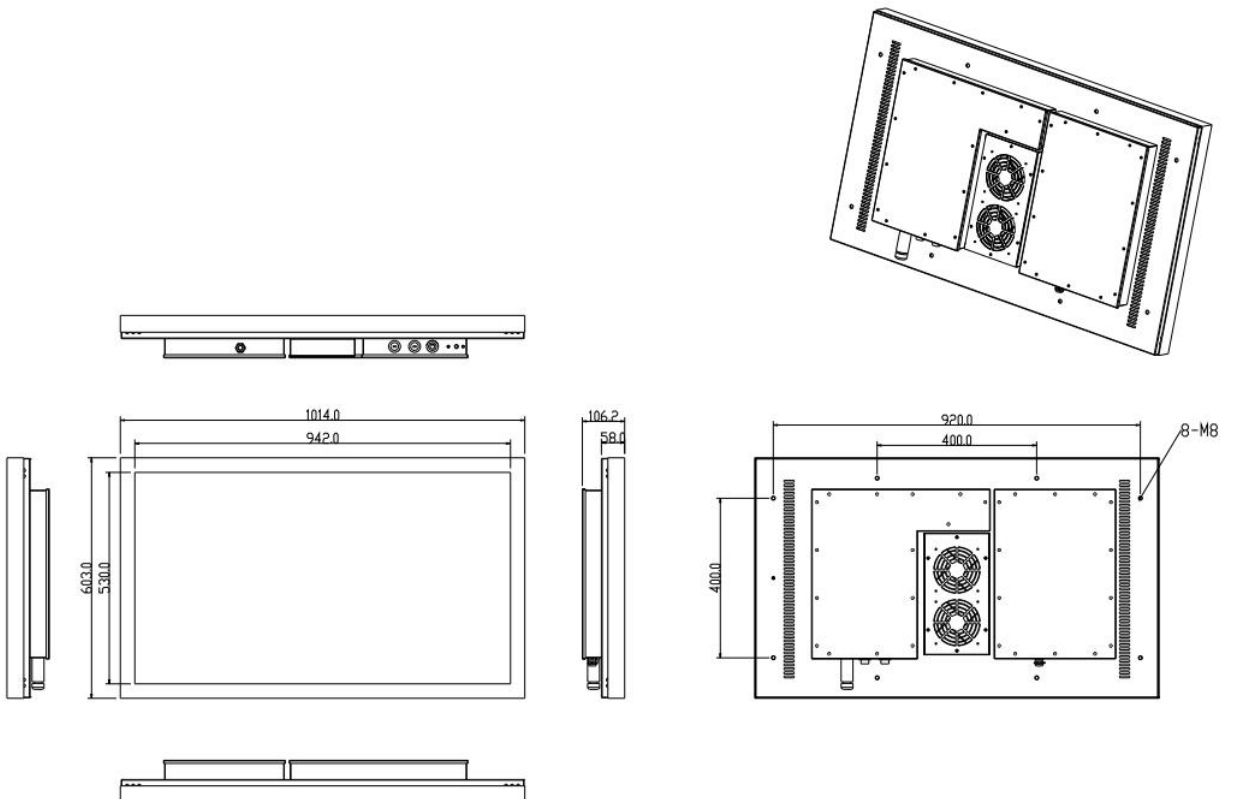
Dimension Drawing

OD32B

Unit: mm



OD43B

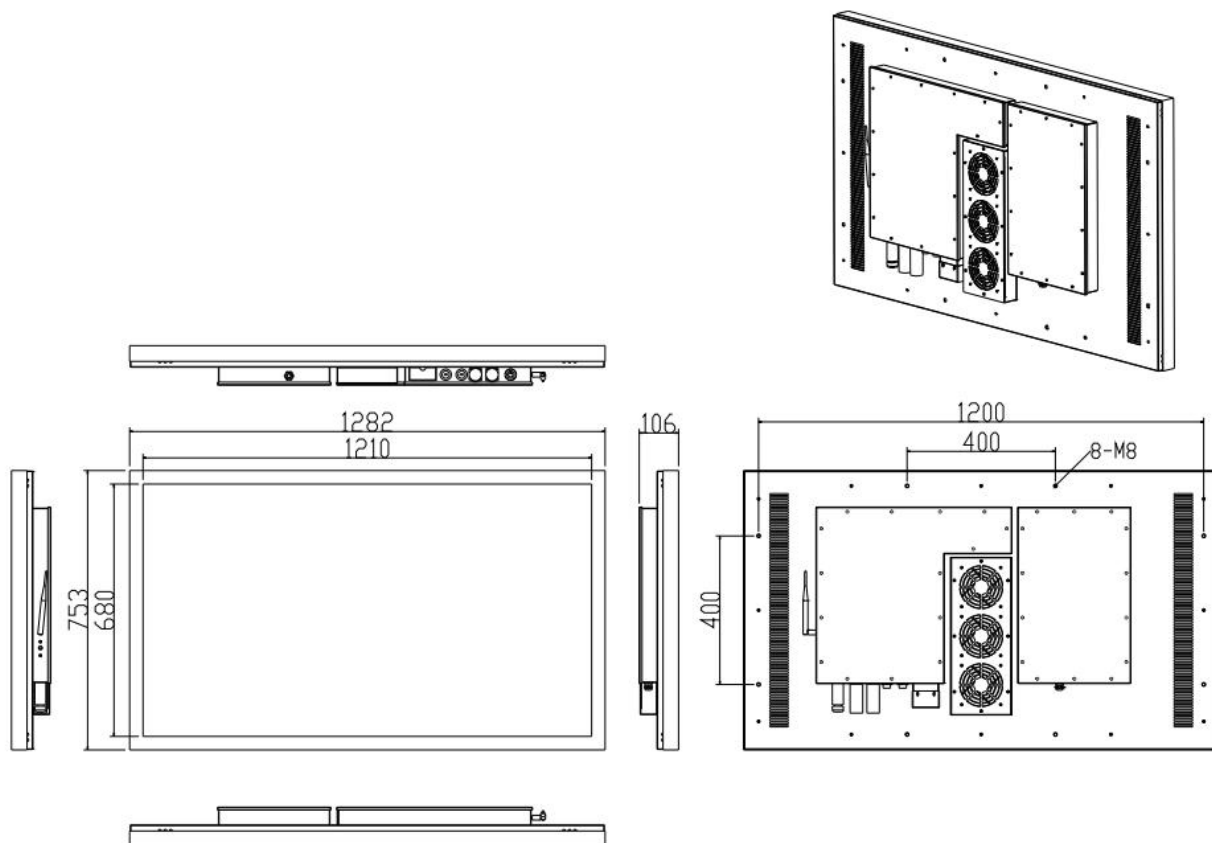


Specification

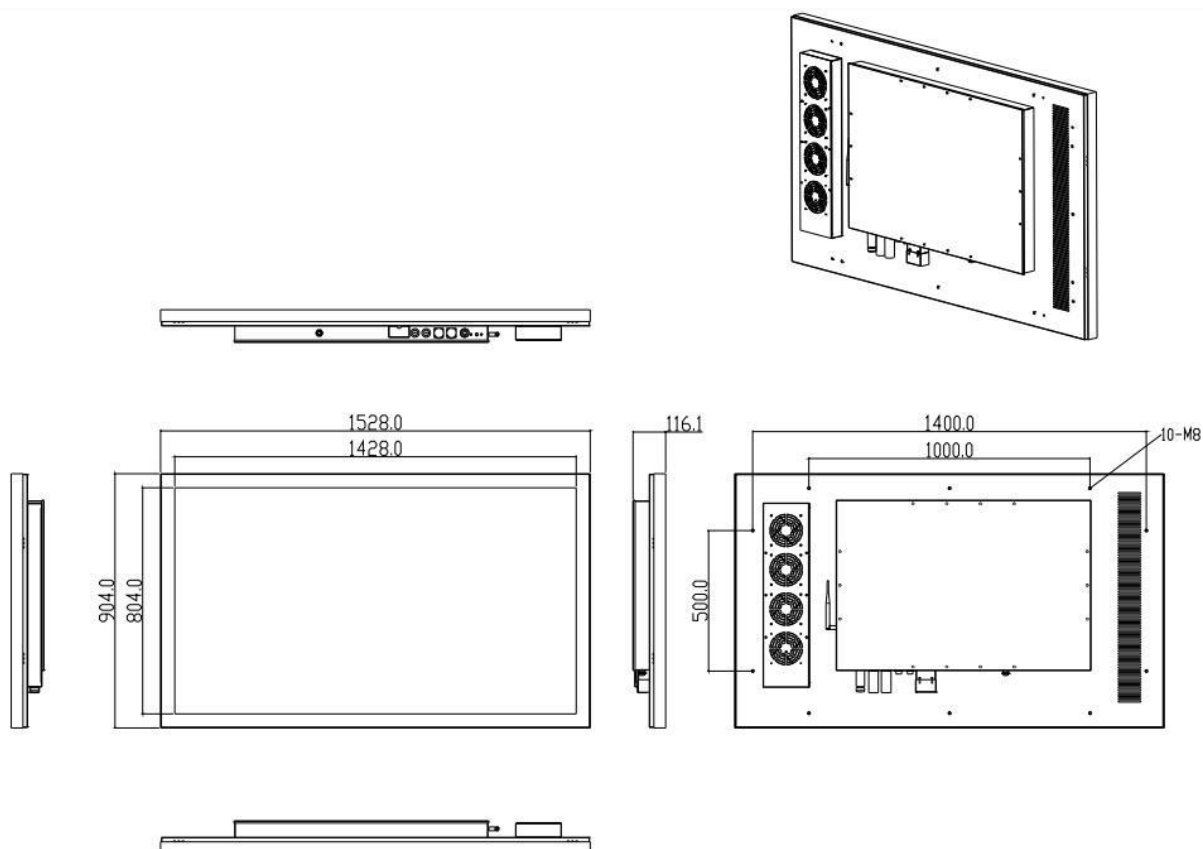
Dimension Drawing

OD55B

Unit: mm



OD65B

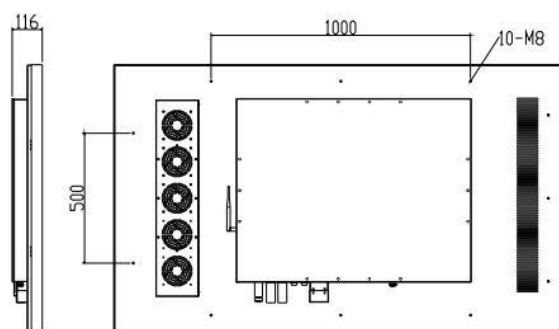
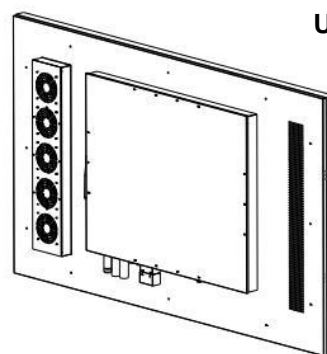
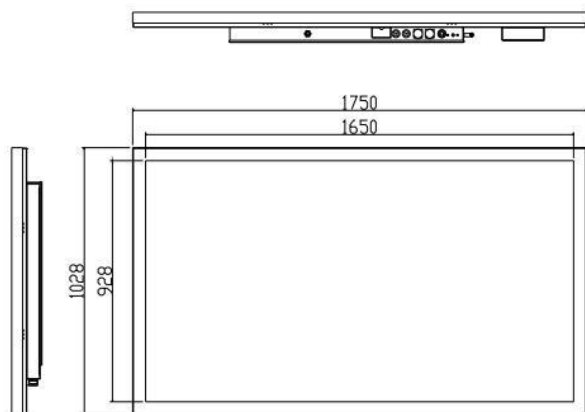


Specification

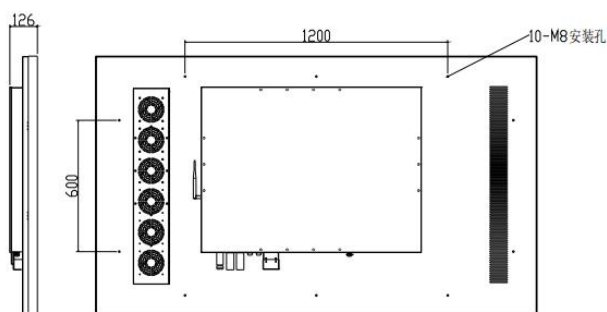
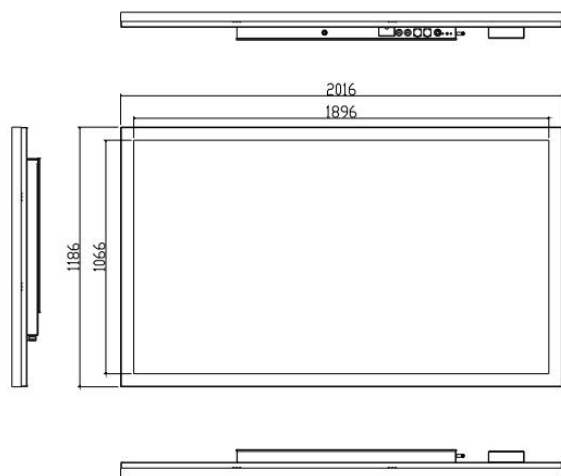
Dimension Drawing

OD755B

Unit: mm



OD86B



Accessories Lists

No.	Parts	Qty	Specification
1	Power cord	1	1.5m
2	Remote controller	1	-
3	Bluetooth antenna	1	-
4	Wi-Fi antenna	1	-
5	User manual	1	-
6	Wall Mounting Bracket	1	Optional