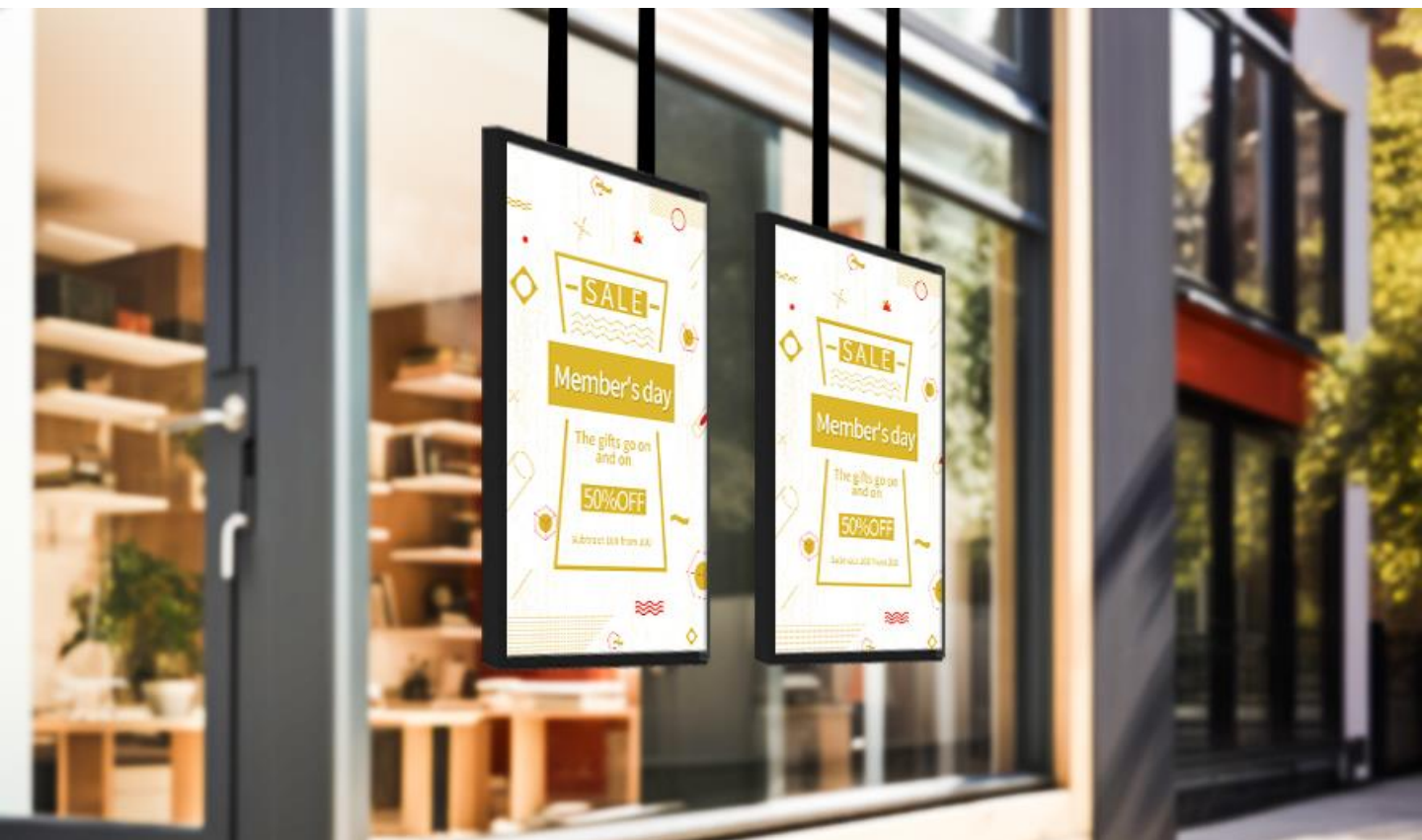


WS\*\*A

32"/43"/49"/55"/ 65"/ 75"

3000nits Window facing display



## Key Feature

- High Visibility Under Sunlight
- Smart Brightness Control
- High TNI 110°C LCD
- Visible with Polarized Sunglasses
- Quiet Operation Fan Cooling
- Slim Design

## Specification

Display		WS**A				
Screen Size	32"	43"	49"	55"	65"	75"
Aspect Ratio	16:9					
LCD Tech	ADS					
Resolution	1920 x 1080			3840 x 2160		
Brightness	2500 cd/m2		3000 cd/m2			
Contrast Ratio	1200:1					
Viewing Angle	178 x 178					
Surface Treatment	AG(3%), HC (2H)	AG(1%), HC (3H)	HC(2H), AR(2.0%)	HC (2H), AR1.5%	AG( 28%), HC (2H)	AG(3%), HC (2H)
Lifetime	50,000 hrs Min.					
Operation Hours	7*24 hrs					
Orientation	Landscape & Portrait					
Interface						
HDMI IN 2.0	× 1					
USB 3.0	× 1					
USB 2.0	× 1					
Earphone	× 1					
RJ45	× 1					
Configuration						
CPU	Octa Core A55, 1.2GHz, up to 1.5GHz					
GPU	Multi-Core Mali-G52					
RAM/Storage	4G/32G					
OS	Android 12					
LAN	10/100M					
WIFI	802.11b/g/n					
Bluetooth	Yes					
Built-In Speaker	5W × 2					
Others						
Operation Temperature	0°C to 45°C					
Operation Humidity	10% to 80%					
Power Type	Built-In Power					
Power Supply	100-240V~, 50/60Hz					
Power (Typ/Max)	100 / 110 W	144 / 160 W	144/ 160 W	162 / 180 W	405/ 450 W	540 / 600 W
Power (Standby)	0.5W					

## Specification

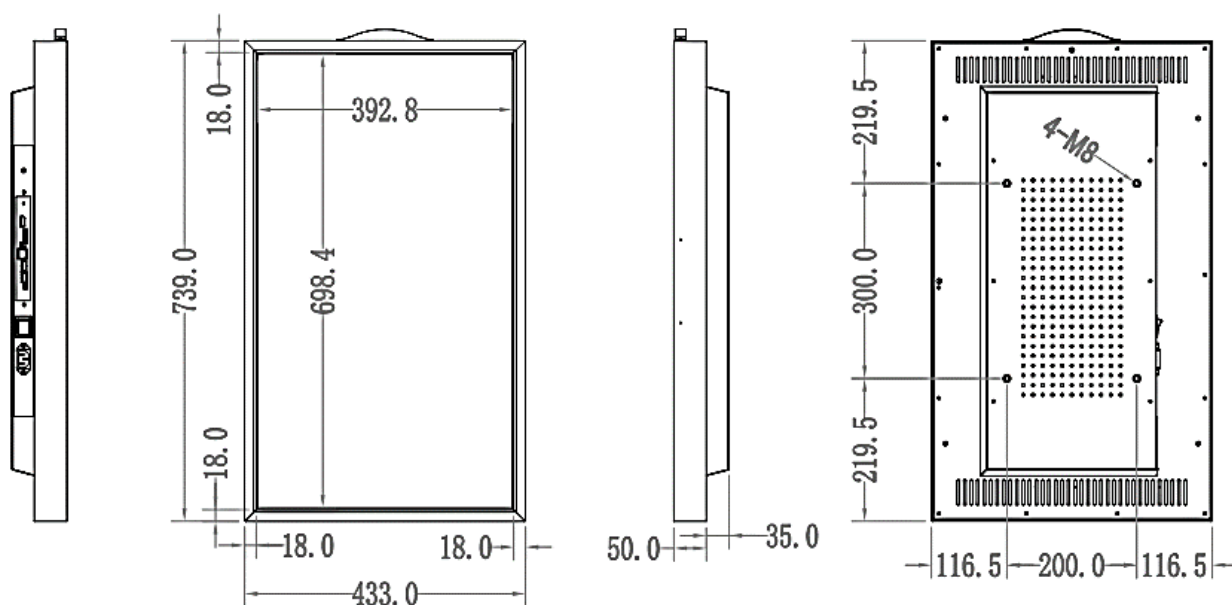
### Physical

Bezel Color	Black					
Bezel Width	18.0 mm (T/B/L/R)					
Monitor Dimension	739.0 x 433.0 x 85.0 mm	980.0 x 568.0 x 85.0 mm	1,114.0 x 644.0 x 85.5 mm	1,250 x 721.0 x 85.0 mm	1,468.6 x 844 x 85.0mm	1,689.6 x 968 x 85.0mm
Weight (Head)	10.0 kg	19.0 kg	21.0 kg	25.0 kg	37.0 kg	52.0 kg
Carton Dimensions	890 x 590 x 230mm	1130 x 710 x 230mm	1270 x 790 x 230mm	1390 x 900 x 230mm	1620 x 1000 x 230mm	1880 x 1120 x 250mm
Packed Weight	12kg	21kg	26kg	32kg	46kg	64kg
VESATM Standard Mount Interface	300 x 200 x 4 x M8	400 x 300 x 4 x M8	400 x 400 x 4 x M8	400 x 400 x 4 x M8	400 x 400 x 4 x M8	500 x 600 x 4 x M8

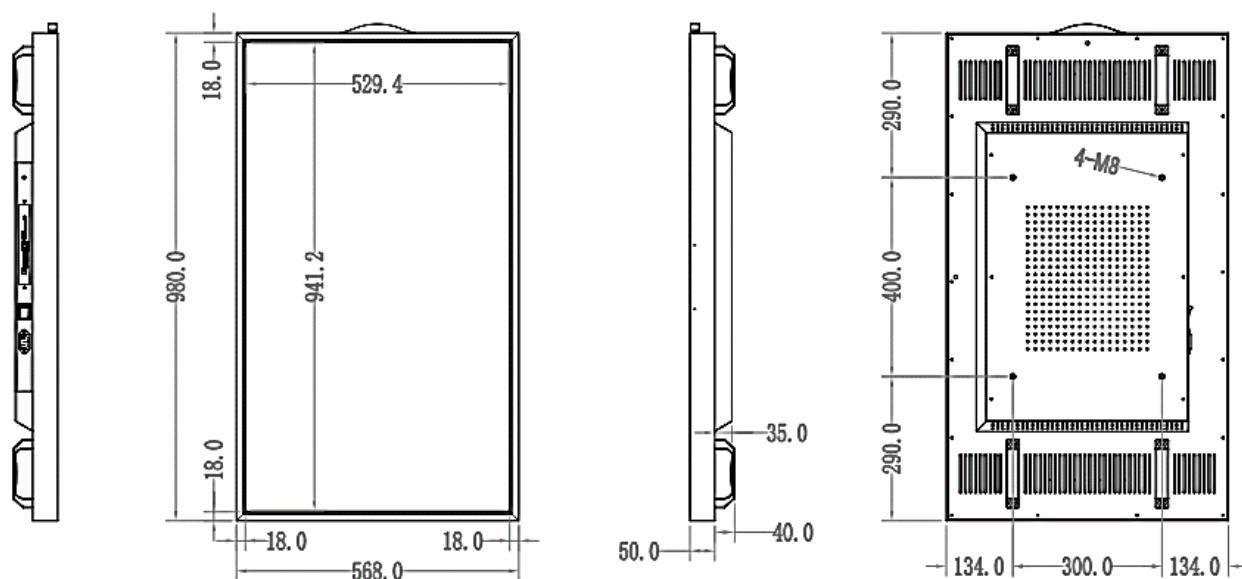
### Dimension Drawing

WS32A

Unit: mm



WS43A

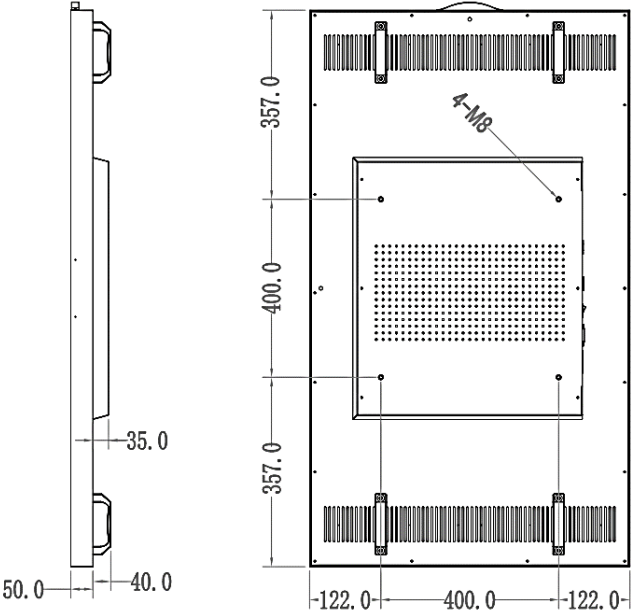
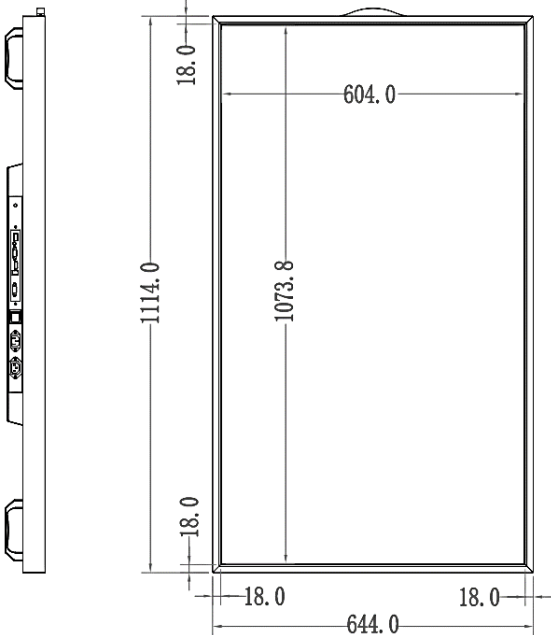


## Specification

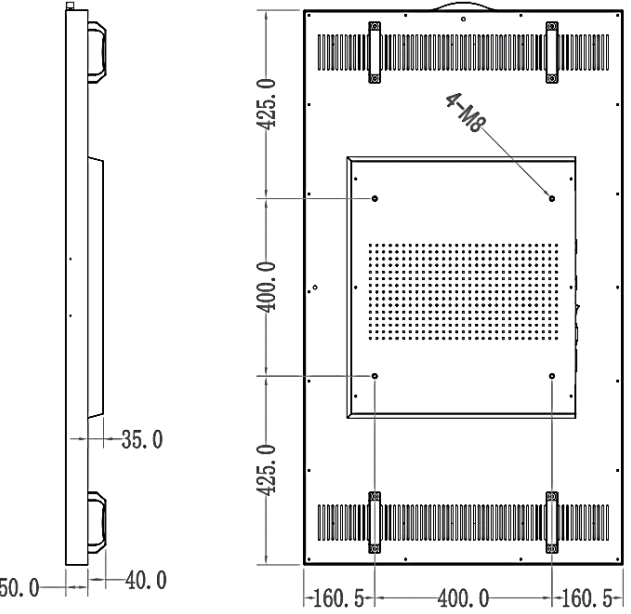
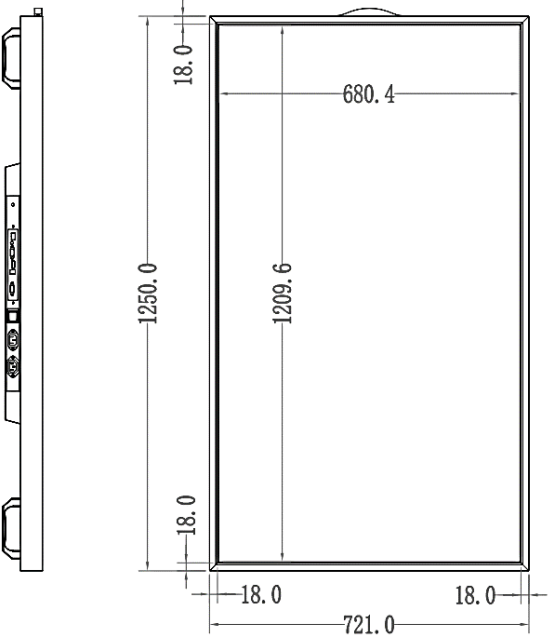
### Dimension Drawing

Unit: mm

WS49A



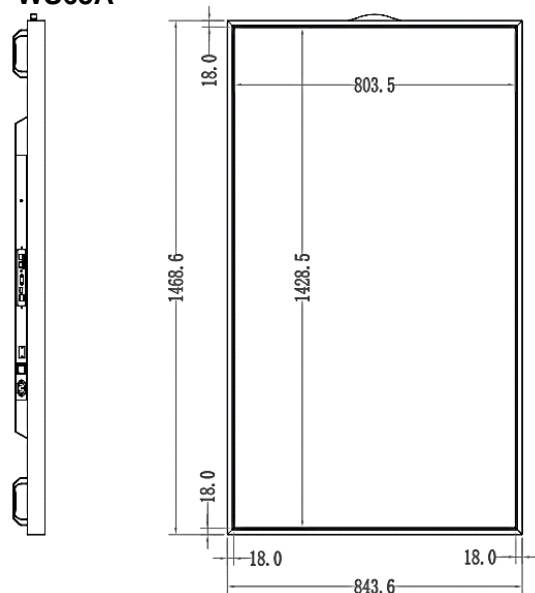
WS55A



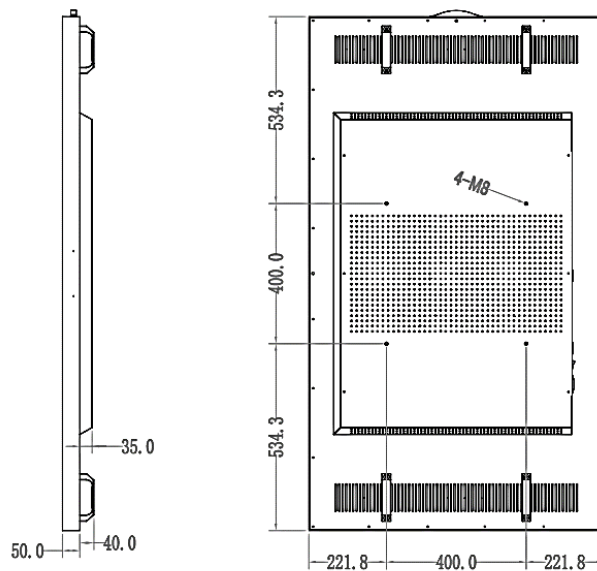
## Specification

### Dimension Drawing

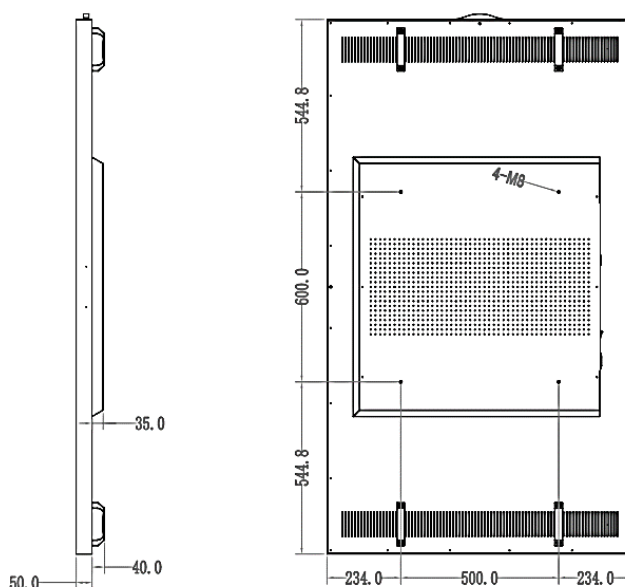
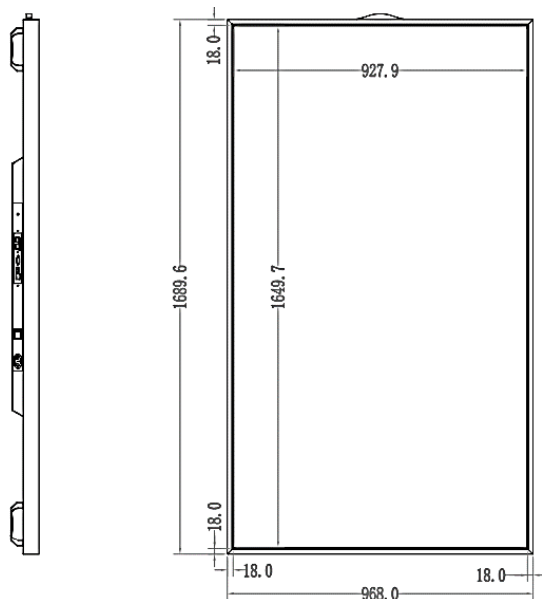
**WS65A**



Unit: mm



**WS75A**



### Accessories Lists

No.	Parts	Qty	Specification
1	Power cord	1	1.5m
2	Remote controller	1	-
3	Bluetooth antenna	1	-
4	Wi-Fi antenna	1	-
5	User manual	1	-