

TM**A

65"/75"/86"/98"

UHD IR Interactive Flat Panel



Key Features

- UHD Resolution
- Zero Bonding Technology
- Android 12.0 with Octa Core A55
- Both HDMI in and HDMI out
- 4K UI
- 4K@50fps Screen Recording
- Screen Splitting Available

Specification

Display				
Model	TM65A	TM75A	TM86A	TM98A
Screen Size (Diagonal)	65 inch	75 inch	86 inch	98 inch
Display Size (W*H/mm)	1428.48 × 803.52	1649.74 × 927.94	1895.04 x 1065.96	2160.86 x 1216.35
LCD Tech	ADS			
Native Resolution	3840(H) × 2160(V)			
Aspect Ratio	16 : 9			
Brightness	350 cd/m ²			
Contrast	1200 : 1			
View Angle	178°(H) / 178°(V)			
Display Color	1.07B (10bit)			
Response Time	8ms			
Life Time	50,000 hrs			

Internal Player	
O/S	Android 12
CPU	ARM Octa Core (A55*8), 1.2GHz
GPU	ARM Multi Core Mali-G52MP2
RAM/ROM	8G DDR4 / 64G EMMC
Input	DP IN*1, HDMI*2, Audio IN*1,USB-A*2, USB-B(Touch)*1,VGA*1 RJ45(10/100M)*1, RS232*1, COAX, TF Card, Mic IN*1
Output	HDMI OUT, RJ45 OUT, LINE OUT*1
Front Connection	HMDI IN*1, TOUCH *1, USB *3, TYPE C*1(15W)
Bluetooth	Yes
Wi-Fi	Wi-Fi 802.11ac (2.4G&5G) ; Hotspot 5Ghz
Built-In Speaker	2 x 15W

Specification

IR Touch

Touch Points	40 for windows, 20 for Android
Response Time	<6ms
Touch Accuracy	2mm(90% Area)
Tempered Glass	4mm with AG Coating
Input Mode	Finger / Opaque objects
Frame Rate	≥200Hz
Transmission Connector	USB 2.0
Operating System	Windows/Linux/Mac/Android

Power

Power supply	AC100-240V~ 50/60Hz			
Power consumption	≤ 250W	≤ 350W	≤ 450W	≤ 750W
Stand By	< 0.5W			

Physical

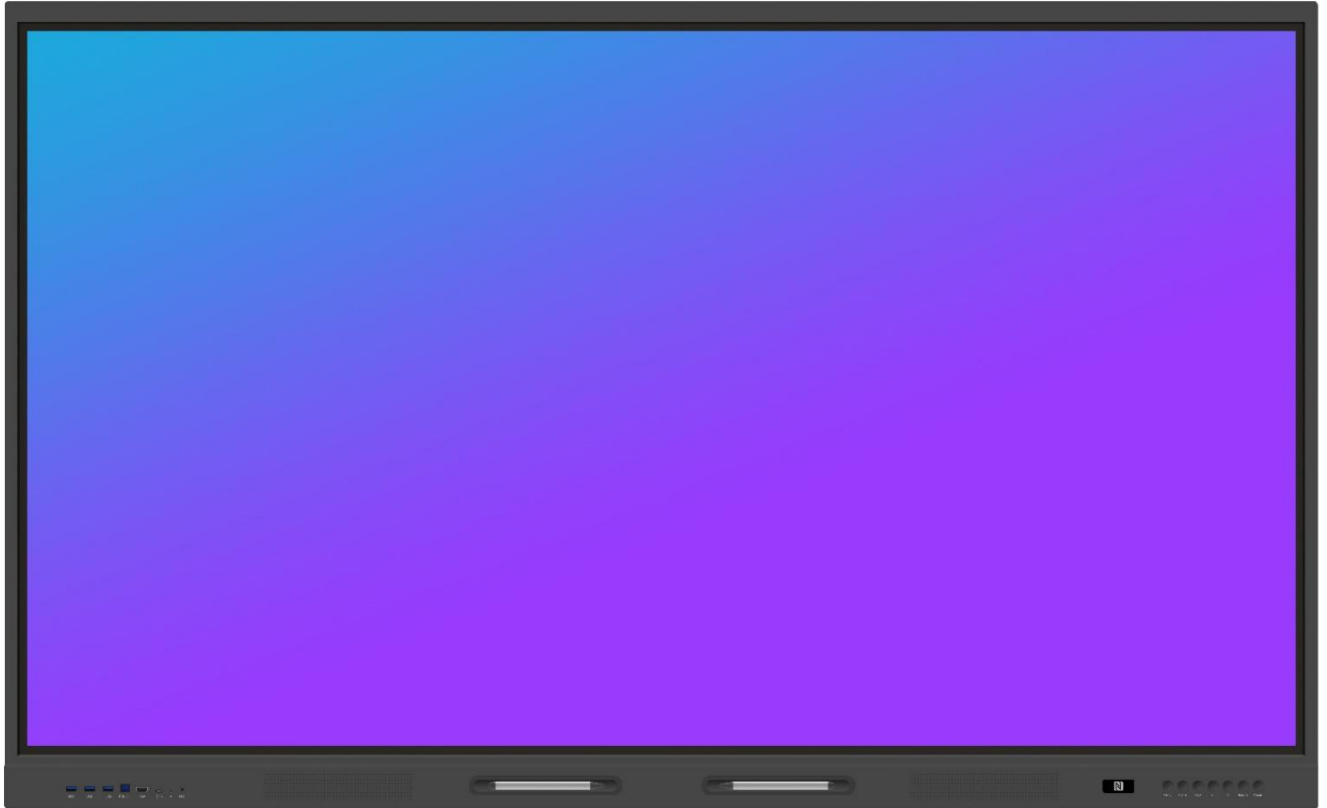
Model	TM65A	TM75A	TM86A	TM98A
Dimension (W*H*D/mm)	1485.2 × 916.61 × 87.9	1707.52 × 1041.93 × 88.1	1953.2 × 1180.02 × 88.1	2222.40 × 1332.22 × 106.06
Net Weight	42±1kg	54±1kg	69±1kg	106±1kg
Wall Mount Size	500 × 400mm	600 × 400mm	800 × 400mm	1000 × 400mm
Package Dimension (W*H*D/mm)	1576 × 980 × 200	1785 × 1125 × 200	2040 × 1260 × 200	2306 × 1520 × 200
Gross Weight	56.5±1kg	69±1kg	83.8±1kg	121±1kg
Accessories	Controller*1, Power cable *1, User Manual*1, Pen *(1 for 65inch)			

Environment Condition

Operation Temperature	0°C- 45°C
Operation Humidity	20% - 80%RH
Storage Temperature	-10°C ~ 55°C
Storage Humidity	20% - 90%RH

Specification

Outline Overview

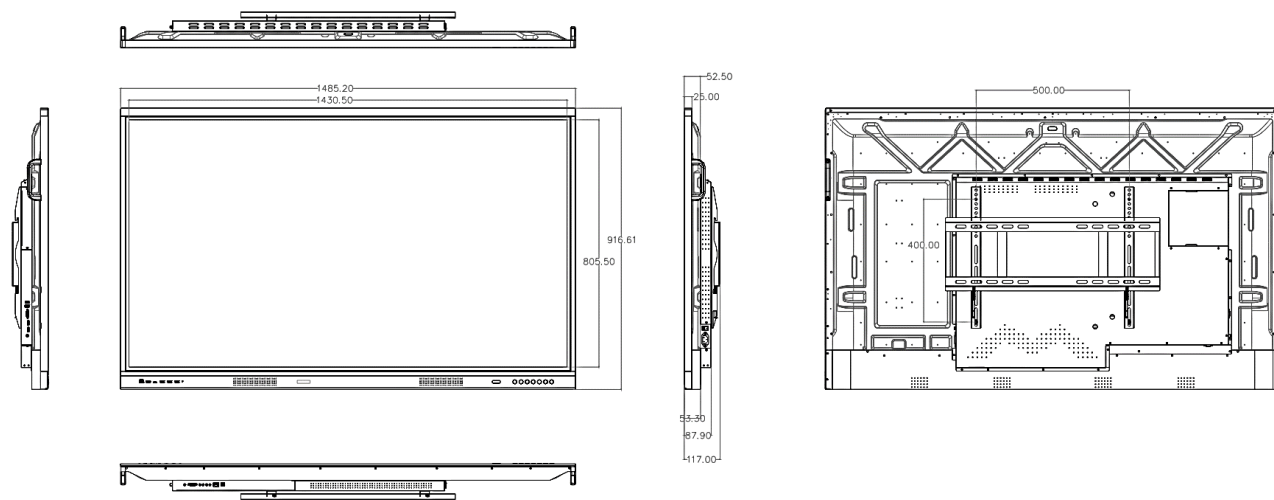


Specification

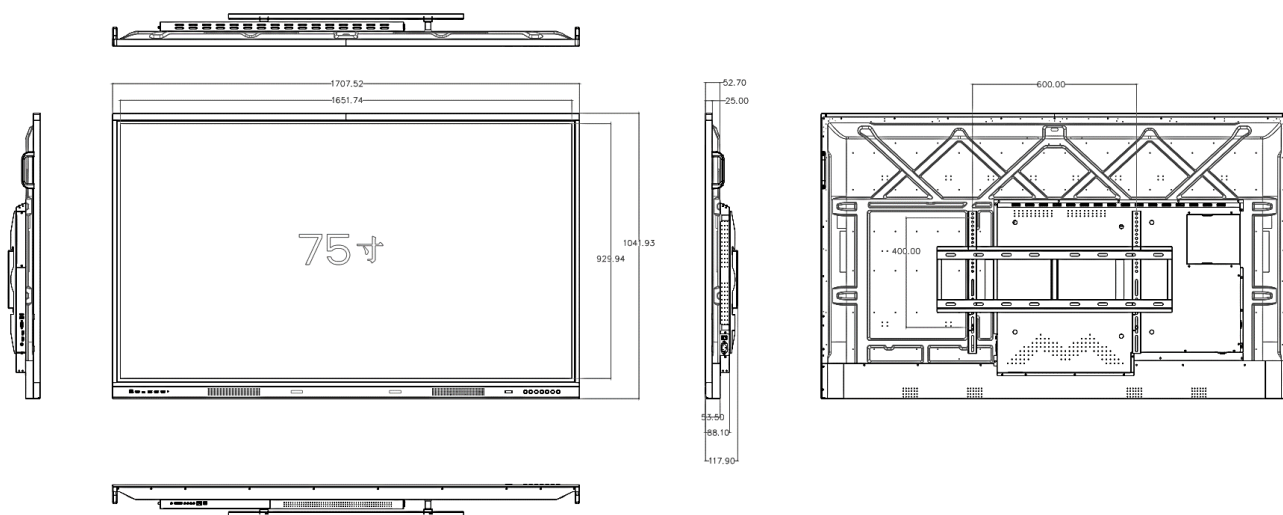
Dimension Drawing

Unit: mm

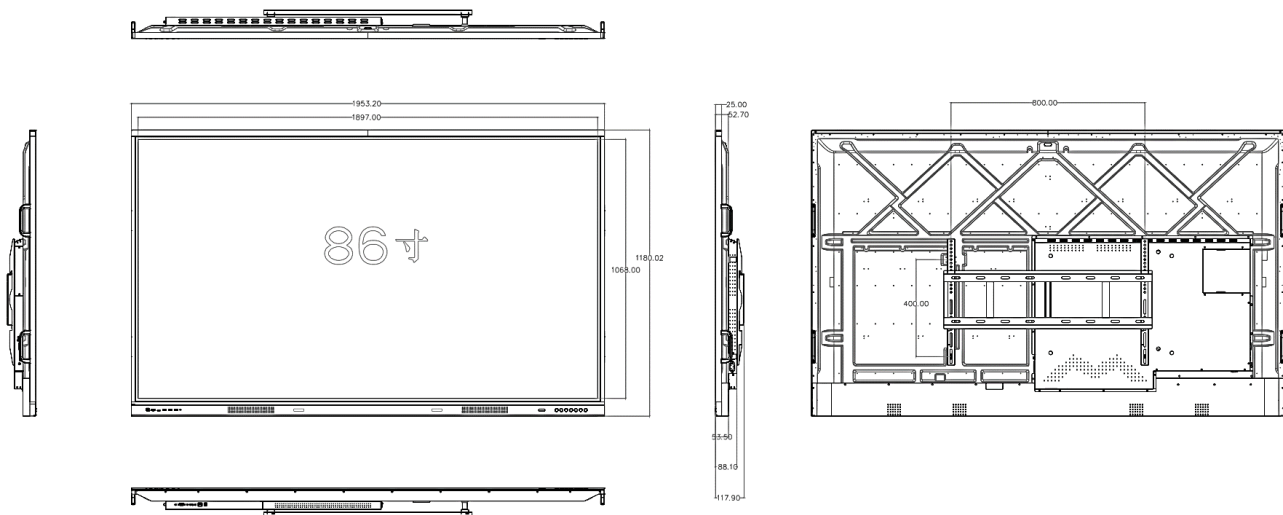
TM65A



TM75A



TM86A

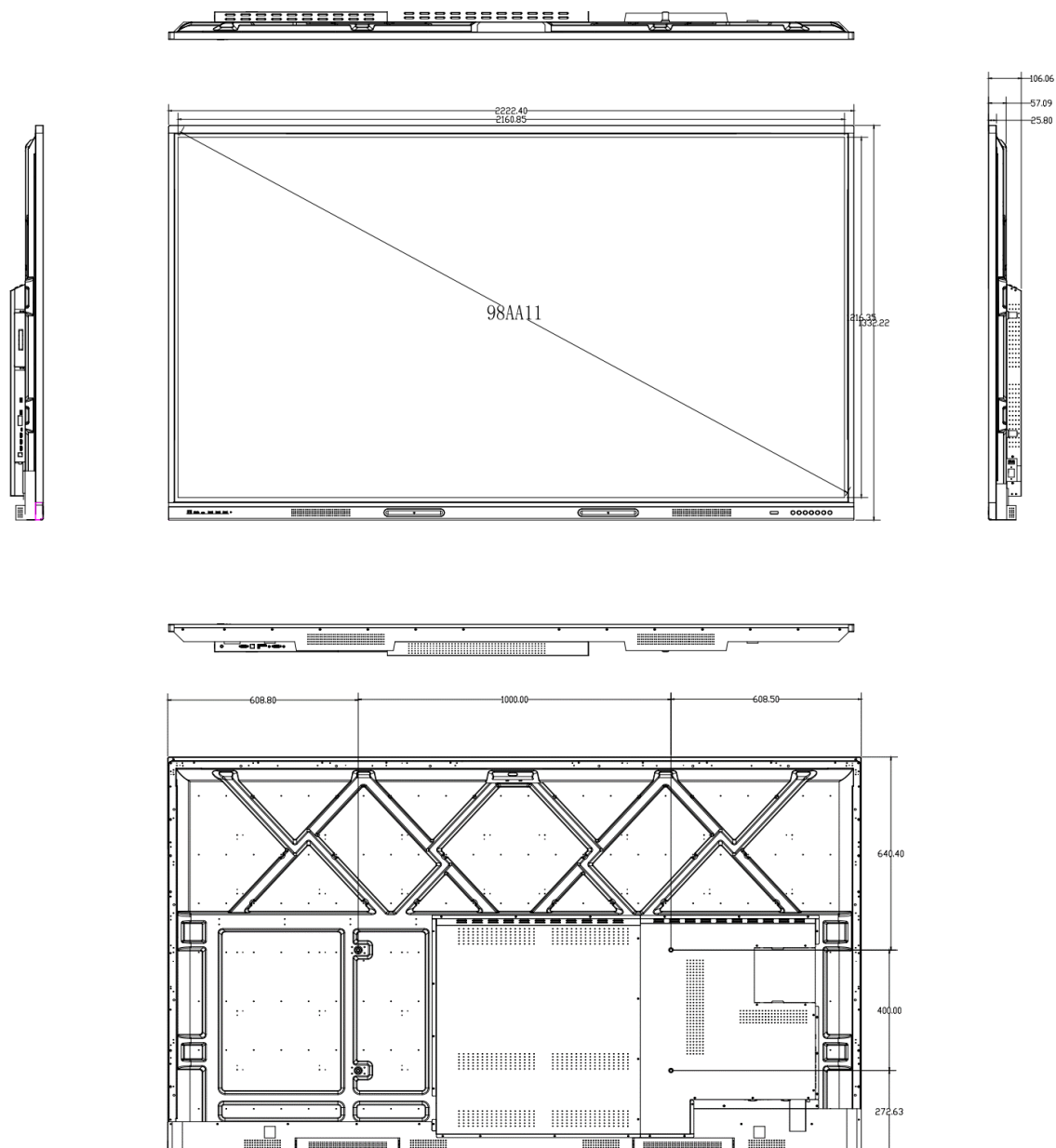


Specification

Dimension Drawing

Unit: mm

TM98A



Accessories Lists

No.	Parts	Qty	Specification
1	Power cord	1	1.8m
2	Bluetooth antenna	1	-
3	Wi-Fi antenna	1	-
4	Pen	2	1 for 65inch
5	User manual	1	-
6	Wall Mounting Bracket	1	-