

DP**M

43"/49"/55"/65"/75"/86"

700nits Digital Signage - Monitor



Key Feature

- UHD Resolution
- Super Slim Even Bezel
- Aluminum Frame Light weight Design
- 700nits High Brightness
- 50,000 hrs 7×24 Operation
- DP Loop
- DP IN×2
- HDMI Input×2
- Speaker 10W×2
- Landscape & Portrait Installation
- VESA Mount

Specification

Model	DP43M	DP49M	DP55M	DP65M	DP75M	DP86M
Display						
Screen Size (Diagonal)	43 inch	49 inch	55 inch	65 inch	75 inch	86inch
Native Resolution	3840 (H) × 2160 (V)					
LCD Tech	ADS					
Aspect Ratio	16 : 9					
Brightness	700 nit (Typ.)					
Contrast	≥ 1200 : 1					
View Angle	178°(H) / 178°(V)					
Display Color	16.7M					
Response Time	8ms					
Operation Time (Hour/Day)	24/7					
Life Time (Light Source)	50,000 hrs (Typ.)					
Surface treatment	25% Haze					

Interface

HDMI IN	×2 (HDMI 2.0)					
DP IN	×2 (DP 1.2)					
DP OUT	×1 (For DP Loop, up to 4K input)					
AUDIO OUT	×1 (3.5mm Stereo jack)					
RS232 IN	×1 (RJ45, Common used for IR IN)					
RS232 OUT	×1 (RJ45, Support IR OUT)					
USB	×1 (2.0, Firmware update only)					
SPEAKER	10W × 2					

Power

POWER SUPPLY	AC 100V ~ 240V@50/60HZ					
POWER CONSUMPTION	157W	163W	165W	190W	247W	350W
POWER CONSUMPTION (Standby)	0.5W	0.5W	0.5W	0.5W	0.5W	0.5W

Environment

Operation Temperature	0°C~50°C					
Operation Humidity	10%-85%					
Storage Temperature	-20°C~60°C					
Storage Humidity	5%-95%					

Physical

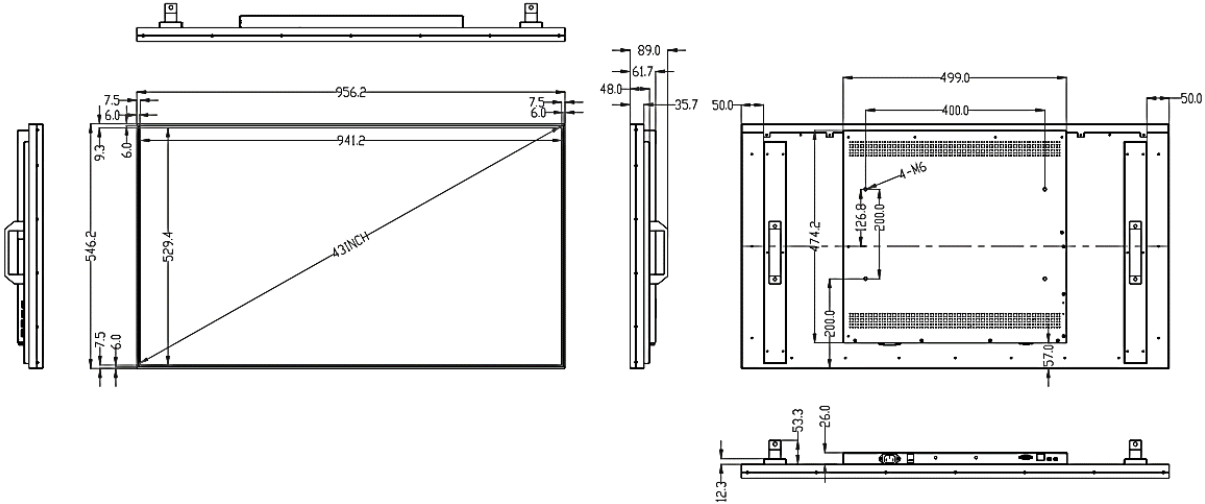
Color/Material	Black/Aluminum					
Bezel Width	6mm (L/R/T/B)			7.9mm (L/R/T/B)		
Set Outline Dimension (W×H×D)	956×546 ×61.7mm	1088×619 ×61.7mm	1225×689 ×61.7mm	1444×820 ×61.7mm	1665×946 ×61.7mm	1908×1082 ×61.7mm
Package Dimension (W×H×D)	1115×209 ×700mm	1243×209 ×773mm	1379×209 ×853mm	1589×209 ×914mm	1819×209 ×1100mm	2099×224 ×1262mm
Set Weight	8.5kg	9.8kg	11.9kg	15.9kg	21kg	33kg
Packed Weight (1 Sets inside)	15kg	18kg	21kg	29kg	35kg	55kg
VESA Mounting Interface	400×200	400×300	400×300	400×400	400×400	400×400

Specification

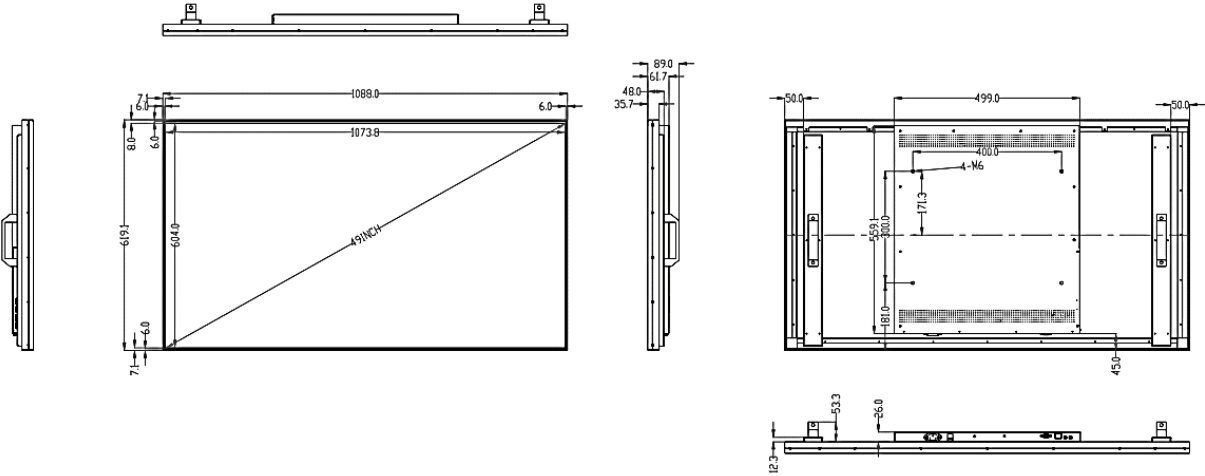
Dimension Drawing

DP43M

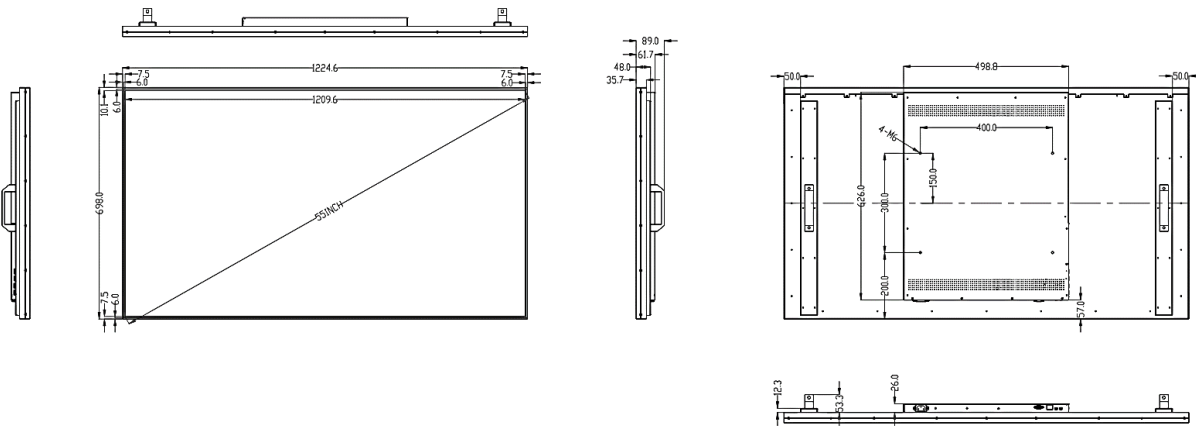
Unit: mm



DP49M



DP55M

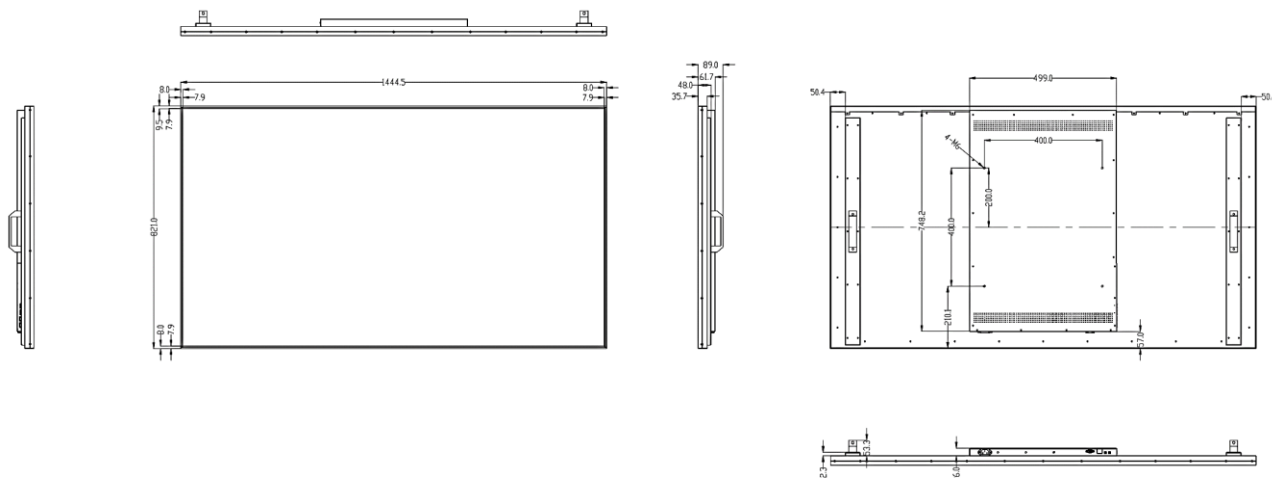


Specification

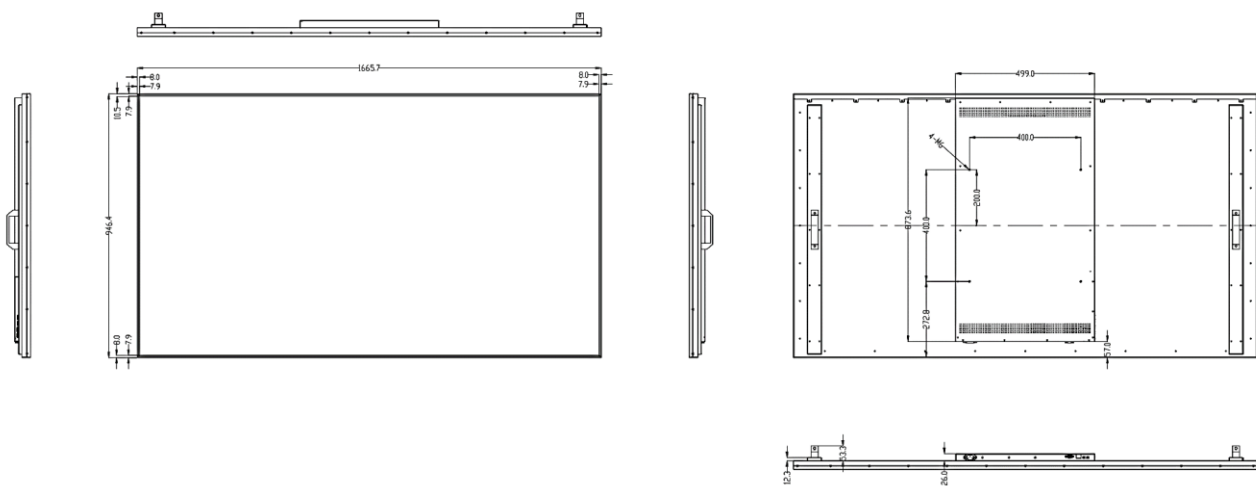
Dimension Drawing

DP65M

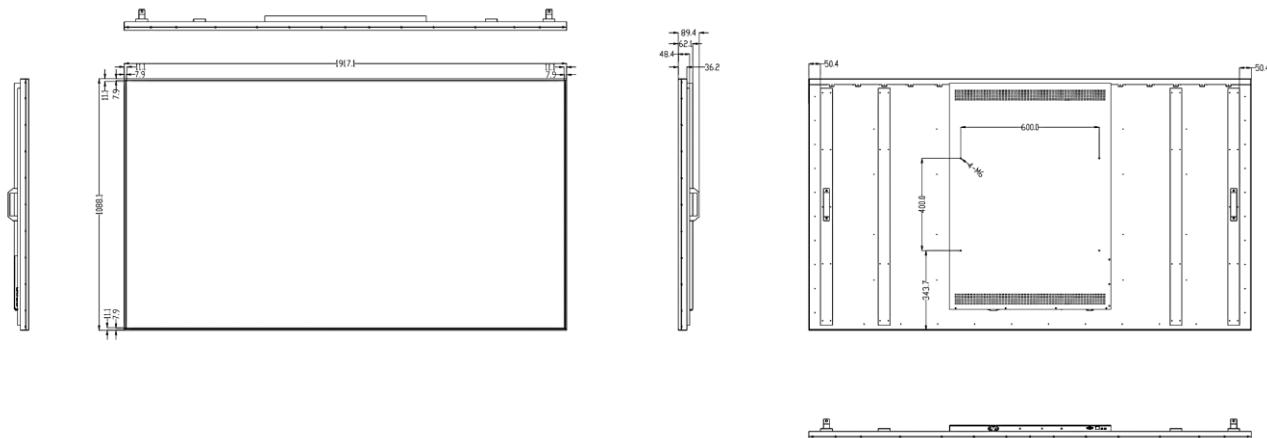
Unit: mm



DP75M



DP86M



Specification

Accessories Lists

No.	Parts	Qty	Specification
1	Power cord	1	1.5m
2	Remote controller	1	-
3	User manual	1	-